

WIWA – High-Performance Airless  
Paint Spraying Equipment:



# PROFESSIONAL

**PROFESSIONAL –**  
The new WIWA series for heavy corrosion protection, offering a wide-ranging program for all industrial coating processes.

For high-viscosity coating materials		
Pressure Ratio	Output*	Model
71: 1	138 (8.42)	24071 N/R
64: 1	153 (9.34)	28064 N/R
53: 1	138 (8.42)	24053 N/R
48: 1	153 (9.34)	28048 N/R

For medium- and Low-viscosity materials		
Pressure Ratio	Output*	Model
42: 1	235(16.34)	38042 N/R
32: 1	306 (18.67)	44032 N/R
32: 1	235 (16.34)	38032 N/R
26: 1	138 (8.42)	24026 N/R
24: 1	306 (18.67)	44024 N/R
23: 1	153 (9.34)	28023 N/R

\*per double-stroke in ccm(cubic-inch)  
N = non-stainless  
R = corrosion resistant

The airless high-pressure pumps of the PROFESSIONAL series are ideally suited for use in paint circulation systems.



with cart



Sets new standards for efficient operation:

- Superior performance under difficult operating conditions
- even higher performance
- very simple to assemble and disassemble
- a safety plus
- easier to service



with cart lift (at the left) with wall-mount (above)

The new  
**WIWA PROFESSIONAL** series  
best proves its strengths under  
severe operating conditions.

# EFFECTIVE IN ACTION

**WIWA has made a name for itself world-wide with high-quality and robust pumps for every application.**

**With the new PROFESSIONAL series, WIWA has set new standards for airless paint spraying equipment.**

Value is a question of all-round quality. The answer is **PROFESSIONAL**.

Primary areas of application are those requiring large surface coverage and solvent-free coatings, such as in the offshore and shipbuilding industries, structural and corrosion protection, sound insulation, fire protection, paint circulation systems and coating lines.

WIWA Airless Paint Spraying Equipment of the **PROFESSIONAL** series applies each coat with consistent thickness. This is accomplished through a rapid switch-over of the air motor, which practically eliminates pulsation.

Due to the optimized relationship between pressure and output, increases in coverage performance present no problem.

Simplified cleaning and maintenance bring significant time and cost savings.

Higher operational safety and minimal wear are achieved through the mounting techniques used for the pump components.

WIWA PROFESSIONAL Series Airless Paint Spraying Equipment regularly proves its value in rough daily operating conditions.

Assurance for this is the rated performance, the easy servicing and the world renowned durability.



Agitator and suction systems are set exactly according to the individual requirements.



The fluid heater quickly and simply heats the material to be sprayed.



The large surface coverage provided by WIWA PROFESSIONAL pumps meets the high demands of the shipbuilding industry. High-pressure ratios avoid pressure loss over longer distances.



Corrosion protection of offshore structures requires robust technology.



High performance and manageability are demanded in the steel construction industry.



In industrial coating lines and special applications, WIWA PROFESSIONAL equipment proves its' strength as a supply pump for jobs requiring several guns.

### Equipment with higher pressure ratios

They are especially suited for high-viscosity, low- or solvent-free materials having a high concentration of solids.

Optimal for larger tip sizes, greater hose lengths and higher spraying pressures.

Considerable pressure reserves, even at low pressures or a temporary loss of pressure in the air supply, are maintained.

### Equipment with more output

Used for coarsely pigmented or abrasive materials with low- or medium-viscosity.

This equipment is additionally suited for especially large tip sizes and multiple spraying guns.

### WIWA PROFESSIONAL – the airless paint spraying equipment with new factors providing economic efficiency.

WIWA PROFESSIONAL High-Pressure Pumps (see separate data sheet) are also well suited for use in automatic spraying units, with or without provision for paint circulation.

### Perfect surfaces

### Higher coverage performance

### More service friendly

### Higher operational safety

### Especially economical due to high equipment durability

## PROFESSIONAL Pump Applications

We recommend:	for high-viscosity materials				for medium- and low-viscosity materials					
Modell	24071	28064	24053	28048	38042	44032	38032	24026	44024	28023
Pressure ratio	71:1	64:1	53:1	48:1	42:1	32:1	32:1	26:1	24:1	23:1
Max.free-flow output in ltr/min. (US gallon/min.)	24.0 (6.3)	28,0 (7.4)	24,0 (6.3)	28 (7.4)	38 (10.0)	44,0 (11.6)	38,0 (10.0)	24 (6.3)	44 (11.6)	28 (7.4)
Output per cycle in ccm (cubic-inch)	138 (8.42)	153 (9.3)	138 (8.42)	153 (9.3)	235 (16.34)	306 (18.67)	235 (16.34)	138 (8.42)	306 (18.67)	153 (9.3)

Applications:										
Large surface	●	●	●	●	●	●	●	●	●	●
Ship coatings	●	●	●	●	●	●	●	●	●	●
Steel and hall construction	●	●	●	●	●	●	●	●	●	●
Rail car construction	●	●	●	●	●	●	●	●	●	●
Paint and lacquer shop	●	●	●	●	●	●	●	●	●	●
Offshore-industry	●	●	●	●	●	●	●	●	●	●
Industrial coatings	●	●	●	●	●	●	●	●	●	●
Structural and corrosion protection	●	●	●	●	●	●	●	●	●	●
Insulation	●	●	●	●	●	●	●	●	○	●
Fire retarding	○	○	○	○	●	●	●	-	-	-
Supply pumps	-	-	-	-	○	●	○	-	●	-

Material to be sprayed:										
Abrasive materials*	○	○	○	○	●	●	●	●	●	●
Flame protection materials	-	○	○	●	●	○	○	-	-	-
Glasflake	●	●	●	●	○	○	○	-	-	-
Insulation and high-built materials	○	○	○	●	●	●	●	●	●	●
Antifouling	●	●	●	●	●	-	-	-	-	-
Cold Bitumen	●	●	●	○	○	-	-	-	-	-
Low solvent and solvent-free paints	●	●	●	○	○	○	-	-	-	-
Materials with short fibers	●	●	●	○	○	○	○	○	○	○
Sprayable paints and lacquers	●	●	●	●	●	●	●	●	●	●
Two component and tar/epoxy paints**	●	●	●	●	●	-	-	-	-	-

\* with low-to medium-viscosity, such as: zinc primer, micaceous iron oxide and solvent-based zinc silicate

\*\* high viscosity and coarsely pigmented

● very suitable    ○ suitable    - unsuitable

The art of simplicity  
realized in perfection:  
**WIWA PROFESSIONAL** Series –  
High-Performance  
Paint Spraying Equipment.

# ADVANTAGES OF TECHNOLOGY

**The impressive relationship between pressure ratio and output is the result of rigorous technical optimization.**

**The simplest is the most difficult.**

The simplest solution is the best. However, the search for "simple genius" is difficult. It separates the men from the boys, the original from the copy.

Original WIWA PROFESSIONAL Series Paint Spraying Equipment fulfills the highest requirements to attain simplicity. This is based on the special know-how of our development and production teams, selected, high-quality raw materials and our own production technology with the highest standards of perfection.

**Less results in more.**

Less pump components allow for quicker assembly and disassembly during maintenance or servicing. Less pump components reduce wear and tear and ensure savings on repairs.

The adaptation of the pressure ratio or the output to different rating requirements is possible by exchanging a small number of components, which saves additional investment.

WIWA PROFESSIONAL Series Airless Paint Spraying Equipment – progressive technology included.

- Double-action pump with long strokes and secured packings.
- Maintenance free, low-noise air motor.
- Thorough rinsing through an innovative flush system.
- A closed lubrication chamber separates the air motor and fluid pump. The lubricant prevents paint from crusting onto the piston rod and protects the packings.
- Easy processing of high viscous materials due to large valve and fluid passages.
- Little wear and tear and low maintenance costs due to self-regulating packings.
- Above average durability due to hard-chromed double pistons, tungsten carbide valve plates and corrosion resistant valve balls.
- A double filter system helps prevent down-time.
- An integrated air maintenance unit prevents icing of the air motor.
- Capable of providing simultaneous feed to several spraying guns.
- Environmental friendly, as noise pollution is kept to a minimum due to the optimized control system and the large muffler.



Special threaded fittings make assembly and disassembly of the pump housing simple and precise.



Easy adaptation of the pressure ratio by exchanging the piston plate and cylinder.



The maintenance unit is installed on the equipment.



Perfect: The high pressure filter with the improved flush system.

## Design Features of the PROFESSIONAL Series

### Air Motor:

- 1 Easy assembly and disassembly due to the small amount of individual components.
- 2 The toggles are highly visible and, therefore, easy to set into place.
- 3 Pulsation is hardly noticeable due to the piston's extreme change-over speed.
- 4 Variable performance ratings possible through changing the diameter of the air motor's piston.

**Maintenance free, low-noise air motor**

**Easy servicing due to the small number of individual components**

**Flexible adaptation for different performance requirements**

**Pulsation is hardly noticeable due to the piston's extreme change-over speed**

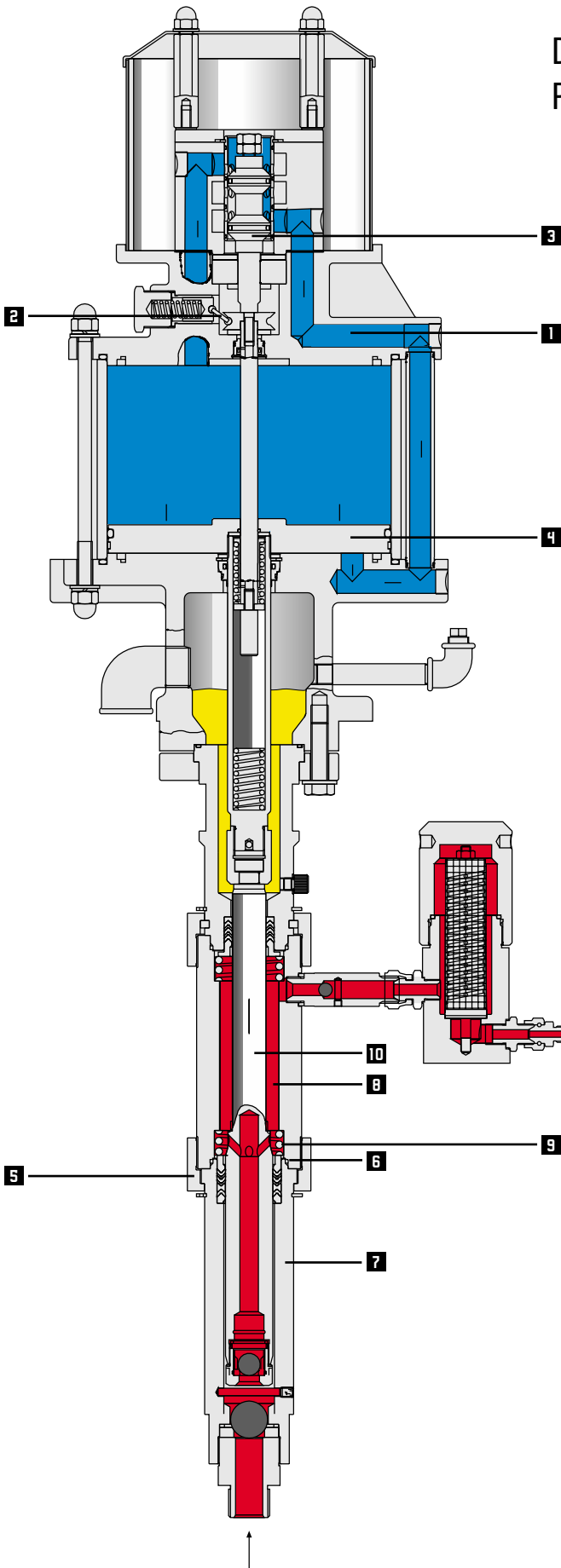
### Material Pump:

- 5 Quick assembly and disassembly due to swivel nuts and special threaded fittings. When disassembling the pump, the parts separate automatically.
- 6 Sealing rings placed before the threads prevent them from clogging and facilitate disassembly.
- 7 Precision guiding ensures simple and exact alignment of the components, as well as less wear and tear.
- 8 Less pressure loss due to large bores and extra large fluid passages.
- 9 Better rinsing due to large fluid passages and short packing retention springs.
- 10 Variable output and pressure ratios are possible through exchanging piston rod and packings.

**Highest performance regarding output and operation pressure**

**Less wear and tear due to spring supported, self-regulating packings.**

**Quick maintenance due to easy assembly.**



For each area of application  
the right unit!

WIWA offers a large range of  
equipment to fill all your  
individual requirements.

# WIWA AIRLESS EQUIPMENT – PR

Whether working in the offshore industry, in ship building or in the heavy corrosion protection industry – with WIWA PROFESSIONAL Series Airless Paint Spraying Units you are always perfectly equipped.

Especially under difficult working conditions, it is important to have reliable, high performance paint spraying equipment.

This chart provides you an overview of the performance data and available versions.

## Suction Technology



**Suction hoses and suction pipes** for different paint container sizes and viscosities.  
**Suction filter and suction sieve** for different pigmentsizes.



**Mounting kit – Agitator** for continuous agitation of materials containing zinc and other fast settling extenders.



**Pump with cart**

Technical Data:	PROFESSIONAL Pumps for High-Viscosity Coating Material									
	24071		28064		24053		28048		38042	
Model	24071		28064		24053		28048		38042	
Max. free-flow output in ltr/min. (US gallon/min.)	24,0 (6.34)		28,0 (7.4)		24,0 (6.34)		28,0 (7.4)		38,0 (10.0)	
Pressure ratio	71:1		64:1		53:1		48:1		42:1	
Output per cycle in ccm (cubic-inch)	138 (8.42)		153 (9.3)		138 (8.42)		153 (9.3)		235 (16.34)	
Max. input air in bar (psi)	6,5 (94.25)		7 (101.5)		8 (116)		8 (116)		8 (116)	
Max. operating pressure in bar (psi)	460 (6670)		448 (6497)		420 (6090)		380 (5510)		335 (4857.5)	
Piston diameter of air motor in mm (inch)	230 (9)		230 (9)		200 (7.9)		200 (7.9)		230 (9)	
Piston stroke of air motor in mm (inch)	120 (4.72)		120 (4.72)		120 (4.72)		120 (4.72)		120 (4.72)	
Version	N	R	N	R	N	R	N	R	N	R
<b>Pump with cart and maintenance unit (compact) order no.</b>	0639061	0639180	0639063	0639184	0639279	0639282	0639285	0639288	0639301	0639304
<b>Pump with cart and maintenance unit (3-piece) order no.</b>	0639105	0639182	0639106	0639186	0639281	0639284	0639287	0639290	0639303	0639306
<b>Pump with cart lift and maintenance unit (compact) order no.</b>	0640057	0640058	0640018	0640017	0640055	06490056	0640059	0640060	0640065	0640066
<b>Pump with wall bracket a. maintenance unit (compact) order no.</b>	0639062	0639181	0639064	0639185	0639280	0639283	0639286	0639289	0639302	0639305
Accessory set No. 5 for a complete ready-to-spray unit order no. 0621676	Consisting of: <b>1.</b> WIWA Airless Gun 500 D (with Swivel), <b>2.</b> Fluid Hose NW 6 (600 bar, 1/4", 15 m), <b>3.</b> Reversing Valve									
Accessory set No. 7 for a complete ready-to-spray unit order no. 0621935	(for Hot Spray Units in N- or R-Version), consisting of: <b>1.</b> WIWA Airless Gun 500 F (with Swivel), <b>2.</b> 2x Fluid manifold 3 x 1/4", Standard Tip 40° - 0,53 mm									
Accessory set No. 12 for a complete ready-to-spray unit order no. 0640932	consisting of: <b>1.</b> WIWA Airless Gun 500 F, <b>2.</b> Fluid Hose NW 10 (500 bar, 3/8", 15 m), <b>3.</b> Fluid Hose NW 6									

# PAINT SPRAYING PROFESSIONAL SERIES



High surface coverage efficiency  
Economic due to high durability  
Effective due to the flexible adaptation for different performance requirements, even after purchase  
**PROFESSIONAL – high-performance at low cost**



Pump with cart lift



Pump with wall-bracket

## Spraying Technology



Different accessory sets are available for ready-to-spray versions.



**Mounting kit for hot spray**  
Through heating of extremely viscous coating materials, much better results can be achieved and additional solvents saved.  
The WIWA fluid heater is ideally suited for the use of pumps with high pressure ratios.

PROFESSIONAL Pumps for Medium-and Low-Viscosity Material									
44032		38032		24026		44024		28023	
44,0 (11.6)		38,0 (10.0)		24,0 (6.34)		44,0 (11.6)		28,0 (7.4)	
32:1		32:1		26:1		24:1		23:1	
306 (18.67)		235 (16.34)		138 (8.42)		306 (18.67)		153 (9.3)	
8 (116)		8 (116)		8 (116)		8 (116)		8 (116)	
255 (3697.5)		255 (3697.5)		208 (3016)		190 (2755)		184 (2668)	
230 (9)		200 (7.9)		140 (5.5)		200 (7.9)		140 (5.5)	
120 (4.72)		120 (4.72)		120 (4.72)		120 (4.72)		120 (4.72)	
N	R	N	R	N	R	N	R	N	R
0639313	0639316	0639307	0639310	0643189	0643190	0639319	0639322	0643191	0643192
0639315	0639318	0639309	0639312	-	-	0639321	0639324	-	-
0640069	0640070	0640063	0640064	-	-	0640067	0640068	-	-
0639314	0639317	0639308	0639311	0643176	0643177	0639320	0639323	0643178	0643179
reversible REV-GUARD™ with Tip 627									
Hose NW 6 (410 bar, 7,5m), 3. 1 x Fluid Hose NW 4 (410 bar, 1,0 m),									
(600 bar, 1/4", 7,5 m) 4. Reversible REV-GUARD™ with Tip 627									

Detailed information on the PROFESSIONAL Series you will find in the following data sheets:



- Data Sheet – Airless Paint Spraying Equipment**
- complementary systems
  - filter, sieves
  - spare parts
  - tools



- Data Sheet – Airless High Pressure Pumps**
- pump mounting
  - complementary systems
  - filter, sieves
  - spare parts
  - tools

Available versions:

N = non-stainless, R = corrosion resistant



**Spraying Technology  
Fluid Handling**

**WIWA**  
**Wilhelm Wagner GmbH & Co. KG**  
Gewerbestraße 1 – 3  
P.O.B. 29  
D-35631 Lahnau

E-mail: info@wiwa.de  
Internet: http://www.wiwa.de

Telephone: +49(64 41) 6 09-0  
Telefax: +49(64 41) 6 09-50/58

**WIWA Wilhelm Wagner LP**  
1244 A Executive Blvd., Suite # 101  
Chesapeake, VA23320, USA

Tel 757-436-2223  
Fax 757-436-2103

Toll free 1-866-661-2139

E-Mails\_nelsen@wiwa.com  
Internet www.wiwa.com

# FAST PER FAX

**Efficient performance in continual use and simple to operate – with the new airless paint spraying equipment series, PROFESSIONAL, WIWA sets new levels of excellence.**

**Experience and versatility is the basis of success.**

50 years of experience in the fields of spray technology, coatings and fluid handling, as well as excellent service, ensure overall security for our customers.

Continuous development and the extensive know-how of our qualified employees make the versatility of the WIWA program possible.

**Get to know our large range of products:**

- WIWA PROFIT – portable, low-cost spraying equipment for trade and industry.
- WIWA MEDIUM – multi-purpose units for trade and industry.
- WIWA IDEAL – the high-performance equipment for continual use.
- WIWA PHOENIX – the new series for trade and industry with maximum performance and minimum costs.

- WIWA SUPER – well-known for its ruggedness and durability.
- WIWA SUPER PLUS – for large surfaces and thick coatings.
- WIWA HERKULES – the new high-performance series for the heavy corrosion protection and marine industries.
- WIWA AIR COMBI – for extreme fine finishes using the environmentally friendly air-combi technology.
- WIWA Hot Job spraying equipment – fast curing, fantastic surfaces.
- WIWA ZINC SILICATE – Special airless spraying equipment for water- or solvent-based zinc silicate coatings.
- WIWA DuoMix – reliable, high-performance dual component spraying equipment for continuous use in heavy corrosion protection, with world-wide references.
- WIWA Extrusion Pumps
- WIWA System gratec® – Equipment for construction sanitation and repair.
- WIWA Low Pressure Pumps – for the handling of all materials capable of flowing.
- Specially designed equipment based on each customer's specific needs.

**Name** \_\_\_\_\_

**Company** \_\_\_\_\_

**Street** \_\_\_\_\_

**Postal Code / City** \_\_\_\_\_

**Phone** \_\_\_\_\_

**Fax** \_\_\_\_\_

**E-mail** \_\_\_\_\_

**Date** \_\_\_\_\_

**I am interested in WIWA products. I request:**

- Information on the equipment marked at the left.
- Your complete catalogue.
- An appointment for a personal consultation.
- Information on equipment suited for my application(s):

\_\_\_\_\_

\_\_\_\_\_

\_\_\_\_\_

\_\_\_\_\_

We would be pleased to provide you with a detailed offer covering all standard equipment, as well as related accessories.